

HAUG Ionization - for the application of electrostatic charges



HAUG charging systems

HAUG charging systems are intended for the contact-free application of electrostatic charges. These systems are used wherever different materials need to be fixed to one another electrostatically.

At least one of these materials must be insulating.

This electrostatic fixation is intended to support downstream processes such as film overlap in packaging machines.

Applications

HAUG charging systems can be used, among others, in the following applications:

- for fixing and positioning of films and foils, paper and cardboard, e.g. on steel sheets, glass panels, wood panels or similar;
- for fixing films and foils on packaging machines/ film welding machines;
- for fixing films and foils on turret film winders, for fixing the wound film against telescoping and glueless commencement of the film winding process on cardboard tubes.



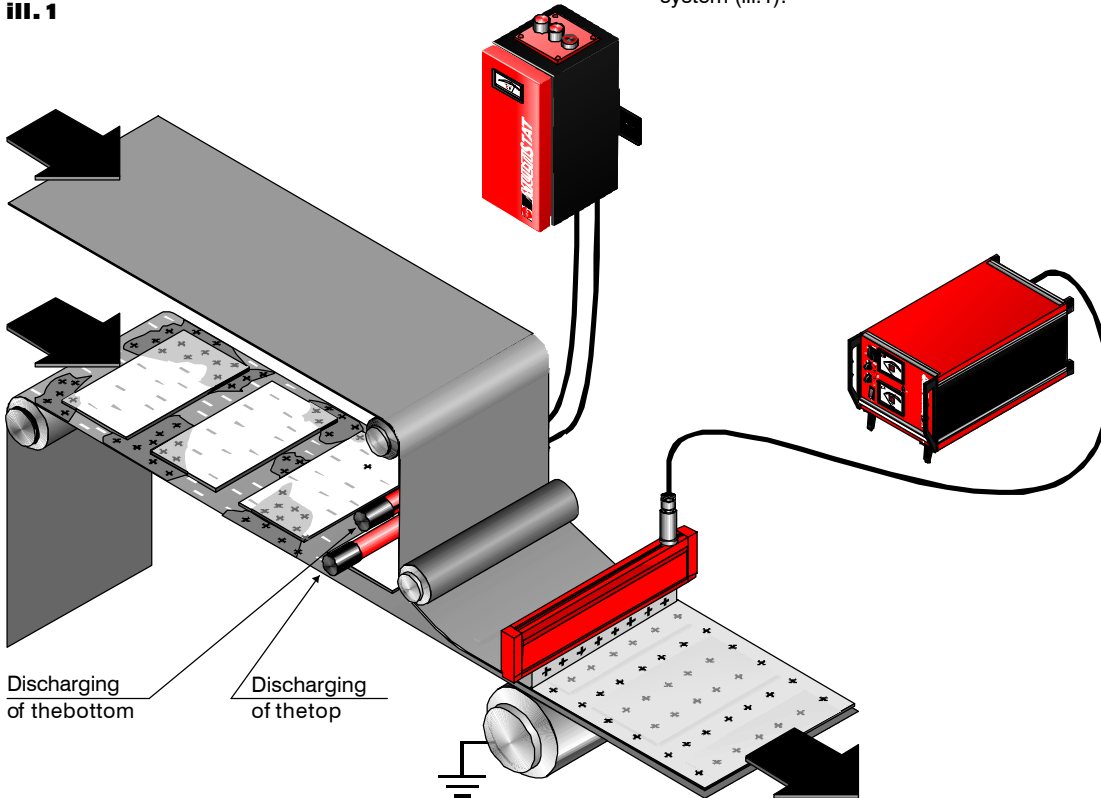
AGW

Charging generator AGW / AGW PUR Profibus

The charging generator AGW / AGW PUR Profibus is a high-voltage generator which is used in combination with HAUG charging electrodes type ALW and a suitable counter-electrode. The charging electrode must be attached at a distance of 10 – 30 mm above the material to be charged, exactly opposite the counter-electrode.

Where a grounded counter-electrode is used, this counter-electrode must make contact with the material to be charged. In order to achieve a continuous, controlled charge, we strongly recommend that before charging, the materials to be fixed to one another be discharged using a suitable HAUG ionization system (ill.1).

ill. 1



AGW

Characteristics and advantages

The charging generator AGW / AGW PUR Profibus generates a stabilized adjustable high voltage of up to 25 kV and supplies a maximum output current of 2.5 mA. The units are available with positive and negative polarity.

On the AGW, the voltage and the actual current are indicated on the integrated digital measuring instruments. In the case of the AGW PUR Profibus, these measured values can also be output through the bus system.

The output voltage and the maximum output current of the AGW can be set optionally using two potentiometers or an external control voltage. The charging generator AGW can be pulsed externally. The integrated communications socket allows a signaling device to be controlled.

The AGW PUR Profibus allows the output voltage and the maximum current to be adjusted through the bus system.

All functions of this unit can be controlled via a Profibus system.

HAUG GmbH & Co. KG

Germany

Friedrich-List-Str. 18
D-70771 Leinf.-Echterdingen
Phone: +49 711 / 94 98-0
Telefax: +49 711 / 94 98-298

www.haug.de
E-mail: info@haug.de

HAUG Biel AG

Switzerland

Johann-Renfer-Str. 60
CH-2500 Biel-Bienne 6
Phone: +41 32 / 344 96 96
Telefax: +41 32 / 344 96 97

www.haug-ionisation.com
E-mail: info@haug-biel.ch

Charge Line - Charging generator AGW (PUR Profibus)





Technical data AGW PUR Profibus

Types: **AGW PUR Profibus** (230 V), positive
Order-No.: 09.7715.110
AGW PUR Profibus (230 V), negative
Order-No.: 09.7717.110

Protection type: IP 30
Protection class: I
Supply voltage: 115 V₋ / 230V₋ (50–60Hz)
Power consumption: 140 VA
Nominal output voltage: 25 kV_{DC}
Output current: max. 2.5mA
HV-terminals: 2
Operating temperature: +5 °C to +45°C
Storage/transporttemperature: -15 °C to +60°C
Weight: 7.5kg
Mains cable: 2.6m, fixed to the device
Subject to technical changes!

AGW

Technical data AGW

Types: **AGW** (230V), positive Order-No.: 09.7715.000
AGW (115V), positive Order-No.: 09.7716.000
AGW (230V), negative Order-No.: 09.7717.000
AGW (115V), negative Order-No.: 09.7718.000

Protection type: IP 30
Protection class: I
Supply voltage: 115 V₋ / 230V₋ (50–60Hz)
Power consumption: 140 VA
Nominal output voltage: 25 kV_{DC}
Output current: max. 2.5mA
External control voltage: 0 – 10V
Load ratings signalling contacts: 24 V_{AC} / 35V_{DC}; max. 50 mA
HV-terminals: 2
Operating temperature: +5 °C to +45°C
Storage/transporttemperature: -15 °C to +60°C
Weight: 7.5 kg
Mains cable: 2.6 m, fixed to the device
Subject to technical changes!

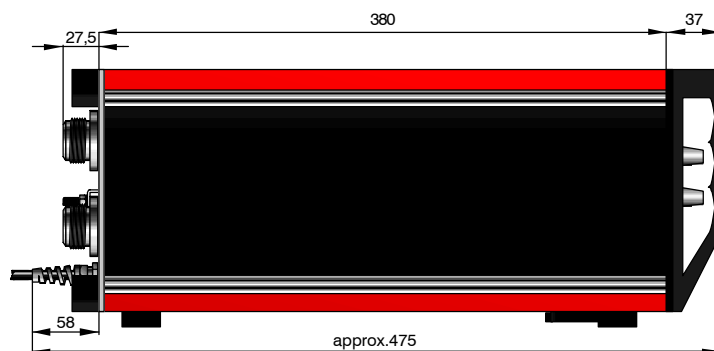
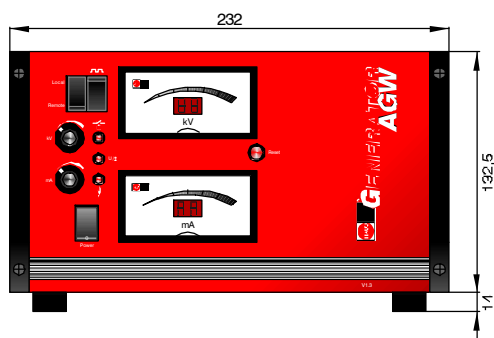
Accessories AGW

Signalling cable K4, shielded

5 m, incl. plug Order-No.: 06.8970.000
10 m, incl. plug Order-No.: 06.8970.001
20 m, incl. plug Order-No.: 06.8970.002

Plug Order-No.: X-6155

AGW



AGW PUR Profibus

